



**TERMINAL BOXES SIMT  
GRP SERIES**



## SIMT TERMINAL BOXES

SIMT explosion protection increased safety terminal boxes are designed for use in hazardous areas with aggressive environments. The safety of working personnel and equipment is of the utmost importance when working in such areas. SIMT terminal boxes are in compliance with all applicable international and European standards and regulations.

### ENCLOSURES RAW

GRP - Glassfiber-Reinforced Polyester with graphitic additives in Ex terminal boxes has gained acceptance on the world market as a material that can withstand extreme environmental conditions and is capable of withstanding shock loads and chemical influences.



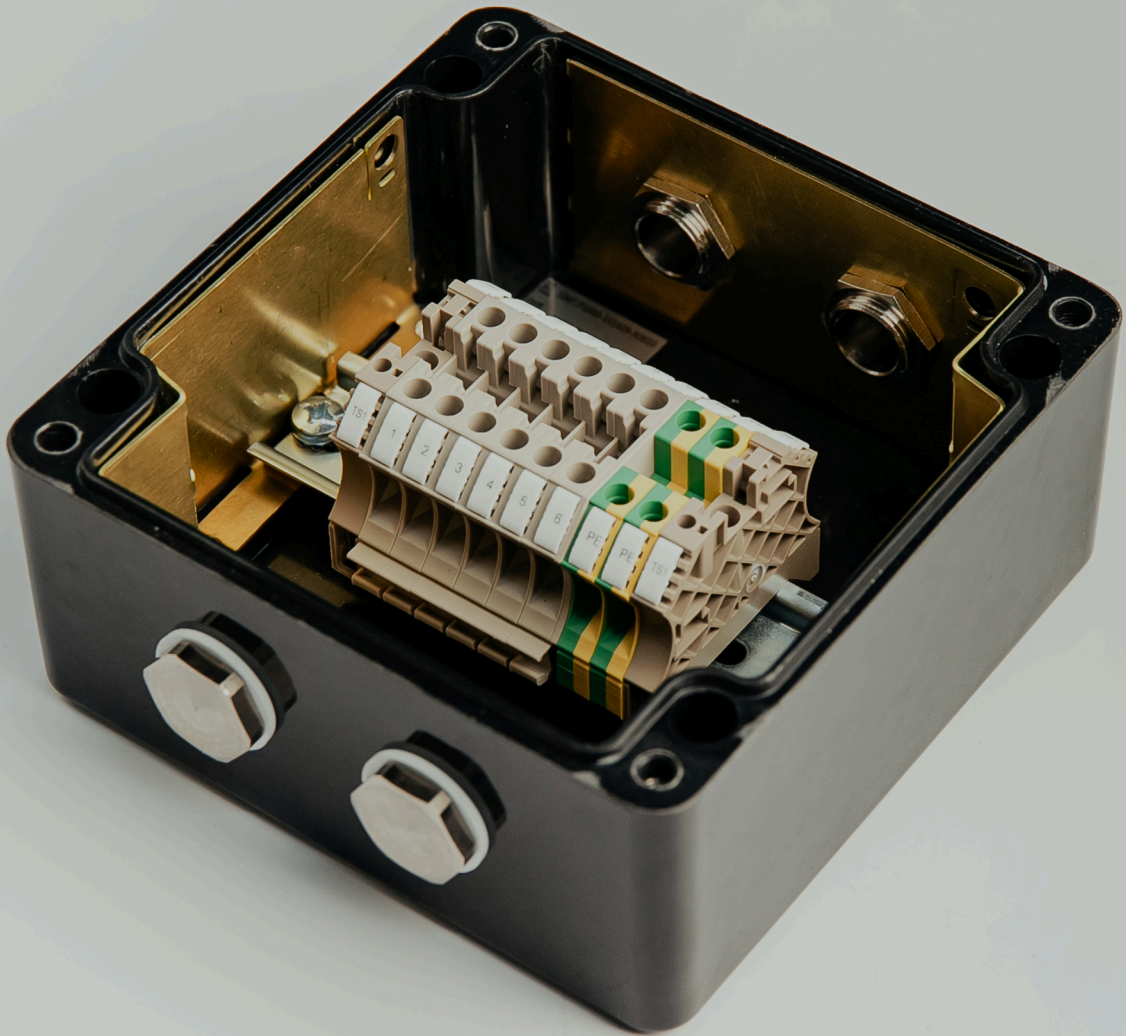
### GRP TERMINAL BOXES P1 SERIES

The P1 series is a range of standard Ex terminal boxes in polyester enclosures. These terminal boxes are intended for use in Zone 1, 2 and are designed for easy maintenance. The P1 series has a wide range of sizes to suit different applications.



### GRP TERMINAL BOXES P7 SERIES

The P7 series is OCTAGON Ex terminal box completes the range of polyester Ex enclosures. A key feature of the OCTAGON terminal box is its design, which allows more convenient installation without having to remove the cover.



# *P1 SERIES GRP TERMINAL BOXES*

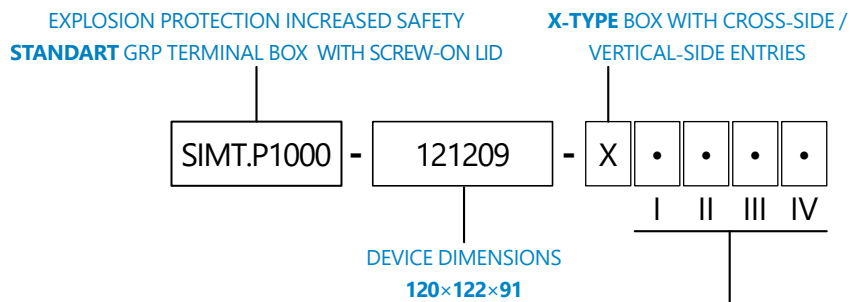


## GRP TERMINAL BOXES P1 SERIES

### TECHNICAL DATA

<b>HAZARDOUS ZONES</b>	ZONE 1, 2	<b>ENCLOSURE</b>	POLYESTER (GRP)
<b>ATEX CERTIFICATE</b>	FIDI 22 ATEX 0077	<b>LID SCREW</b>	M4/M6 CAPTIVE SCREWS (304 STAINLESS STEEL)
<b>ATEX EX MARKING</b>	II 2G Ex eb IIC T6...T3 Gb	<b>GASKET</b>	SILICONE
<b>EAC CERTIFICATE</b>	EA3C RU C-KZ.HA65.B.01136/21	<b>PROTECTION DEGREE</b>	IP65/66 ACC. EN IEC 60529
<b>EAC EX MARKING</b>	1 Ex eb IIC T6...T3 Gb X	<b>SHOCKPROOF</b>	7NM ACC. IEC/EN 60079-0, IK 10
<b>BUILT-IN TERMINAL</b>	WEIDMULLER PHOENIX CONTACT WAGO	<b>OPERATION TEMPERATURE</b>	-55°C ~ 80°C Depending on the built-in Ex components
<b>CABLE ENTRIES</b>	CMP PRODUCTS	<b>MAX VOLTAGE</b>	1100 AC 24 DC

### IDENTIFICATION CODE

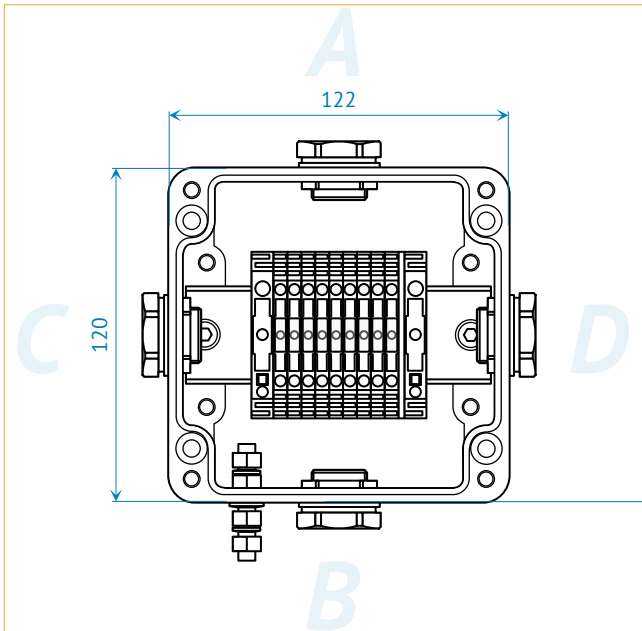


<b>I</b>	X0	Terminal box with entries <b>M20</b> on <b>each</b> sides - A(M20x1.5) B(M20x1.5) C(M20x1.5) D(M20x1.5)
	X9	Terminal box with <b>two</b> entries <b>M20</b> on side <b>A</b> and <b>two</b> entries <b>M25</b> on side <b>B</b> - A(2xM20x1.5) B(2xM25x1.5)
<b>II</b>	0	Terminal box contains <b>current phase</b> terminals.
	2	Terminal box contains <b>current phase</b> and <b>earth</b> terminals.
	4	Terminal box contains terminals for <b>phase, neutral</b> and <b>earth</b> .
	5	Terminal box contains <b>current phase</b> terminals and earthing <b>bar</b> .
	8	Terminal box contains terminals for <b>intrinsically safe circuit</b> and earthing <b>bar</b>
<b>III</b>	0	Terminal box contains <b>2.5 mm<sup>2</sup></b> terminals with screw connections
	1	Terminal box contains <b>4 mm<sup>2</sup></b> terminals with screw connections
	2	Terminal box contains <b>6 mm<sup>2</sup></b> terminals with screw connections
	3	Terminal box contains <b>10 mm<sup>2</sup></b> terminals with screw connections
<b>IV</b>	0	Terminal box with <b>3</b> terminals
	1	Terminal box with <b>6</b> terminals
	2	Terminal box with <b>9</b> terminals
	3	Terminal box with <b>12</b> terminals
	4	Terminal box with <b>20</b> or more terminals
	5	Terminal box with <b>40</b> or more terminals
	6	Terminal box with <b>60</b> or more terminals
	7	Terminal box with <b>80</b> or more terminals
	8	Terminal box with <b>100</b> or more terminals
9	Terminal box with <b>120</b> or more terminals	

## GRP TERMINAL BOXES P1 SERIES TYPE X0

### SIMT.P1000-121209-X0002

Cable entries A(M20x1.5) B(M20x1.5) C(M20x1.5) D(M20x1.5)  
Terminals 9xWDU 2.5

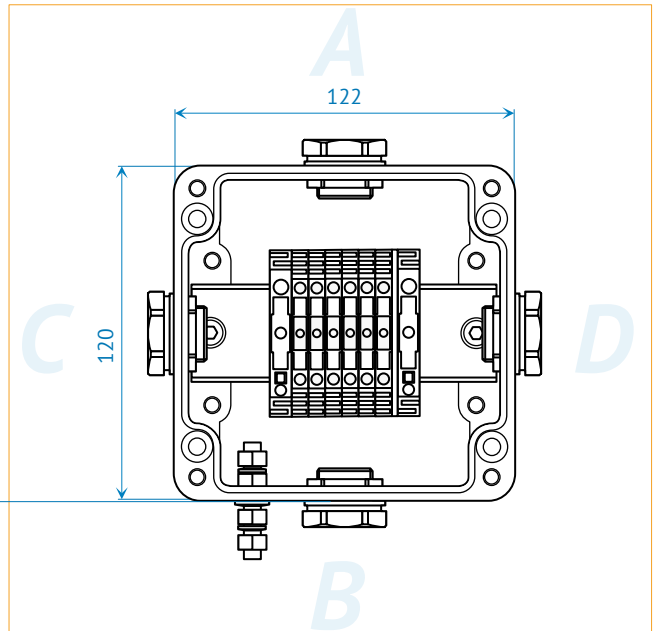


OPTIONS:

- SIMT.P1000-121209-X0202** - 6xWDU2.5, 3xWPE2.5
- SIMT.P1000-121209-X0402** - 3xWDU2.5, 3xWDU2.5(blue), 3xWPE2.5

### SIMT.P1000-121209-X0011

Cable entries A(M20x1.5) B(M20x1.5) C(M20x1.5) D(M20x1.5)  
Terminals 6xWDU 4

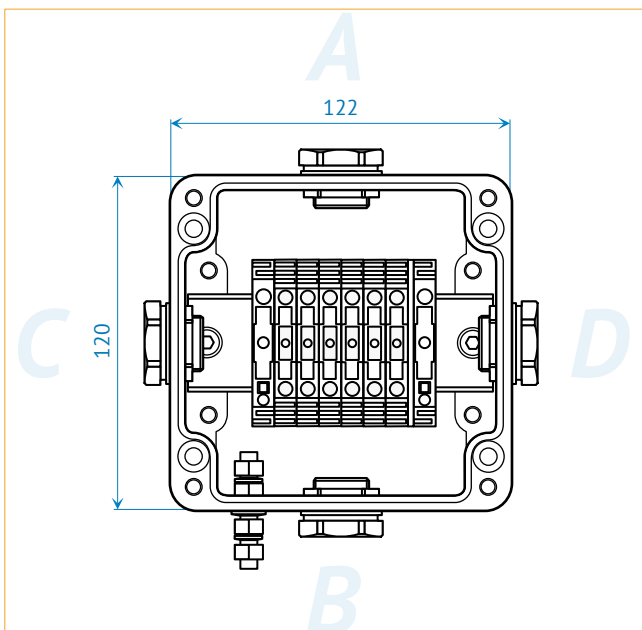


OPTIONS:

- SIMT.P1000-121209-X0211** - 4xWDU4, 2xWPE4
- SIMT.P1000-121209-X0411** - 2xWDU4, 2xWDU4(blue), 2xWPE4

### SIMT.P1000-121209-X0021

Cable entries A(M20x1.5) B(M20x1.5) C(M20x1.5) D(M20x1.5)  
Terminals 6xWDU 6

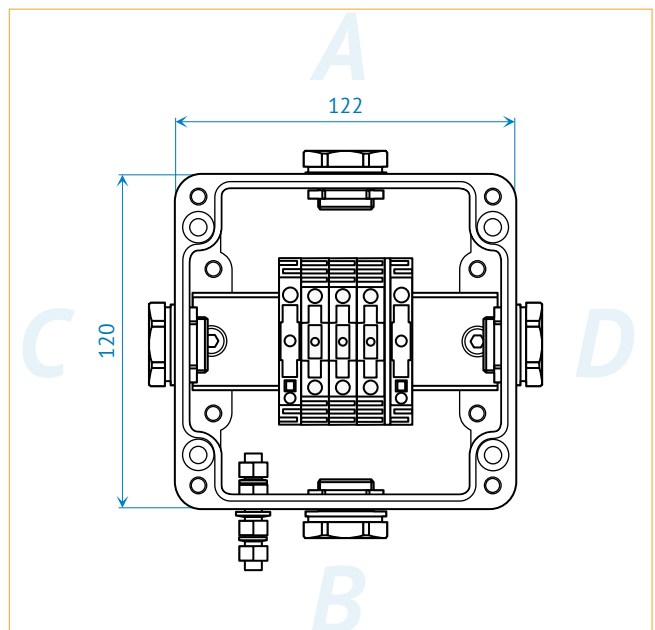


OPTIONS:

- SIMT.P1000-121209-X0221** - 4xWDU6, 2xWPE6
- SIMT.P1000-121209-X0421** - 2xWDU6, 2xWDU6(blue), 2xWPE6

### SIMT.P1000-121209-X0030

Cable entries A(M20x1.5) B(M20x1.5) C(M20x1.5) D(M20x1.5)  
Terminals 3xWDU 10



OPTIONS:

- SIMT.P1000-121209-X0230** - 2xWDU10, 1xWPE10
- SIMT.P1000-121209-X0430** - 1xWDU10, 3xWDU10(blue), 3xWPE10

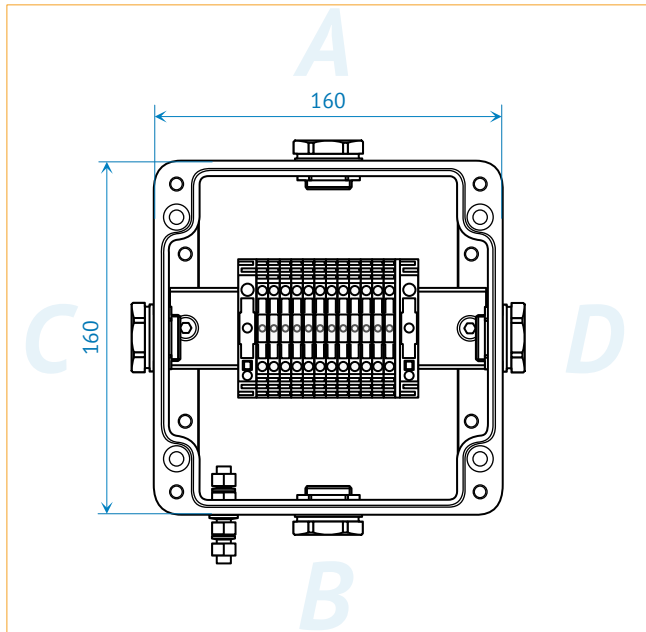


## GRP TERMINAL BOXES P1 SERIES

### TYPE X0

#### SIMT.P1000-161609-X0003

Cable entries A(M20x1.5) B(M20x1.5) C(M20x1.5) D(M20x1.5)  
Terminals 9xWDU 2.5



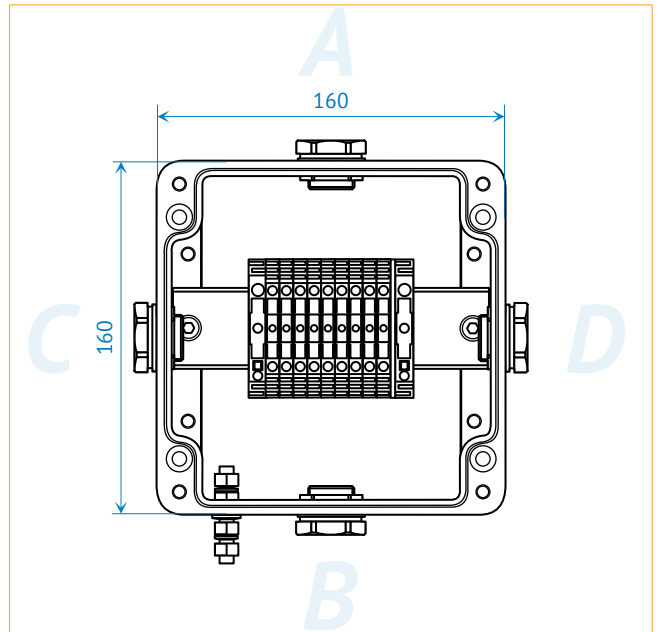
OPTIONS:

**SIMT.P1000-161609-X0203** - 6xWDU2.5, 3xWPE2.5

**SIMT.P1000-161609-X0403** - 3xWDU2.5, 3xWDU2.5(blue), 3xWPE2.5

#### SIMT.P1000-161609-X0012

Cable entries A(M20x1.5) B(M20x1.5) C(M20x1.5) D(M20x1.5)  
Terminals 6xWDU 4



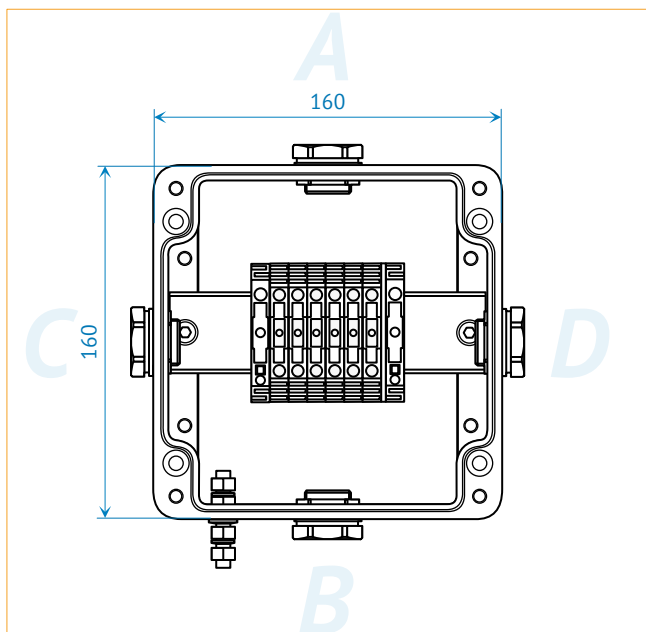
OPTIONS:

**SIMT.P1000-161609-X0212** - 4xWDU4, 2xWPE4

**SIMT.P1000-161609-X0412** - 2xWDU4, 2xWDU4(blue), 2xWPE4

#### SIMT.P1000-161609-X0021

Cable entries A(M20x1.5) B(M20x1.5) C(M20x1.5) D(M20x1.5)  
Terminals 6xWDU 6



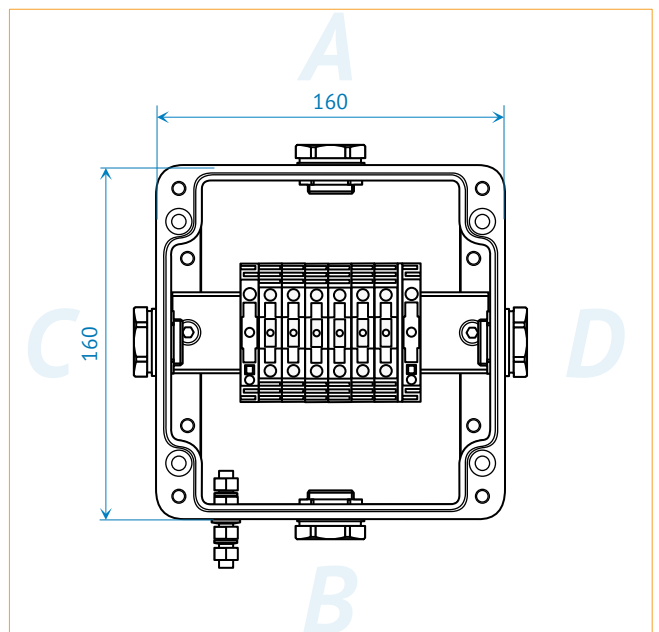
OPTIONS:

**SIMT.P1000-161609-X0221** - 4xWDU6, 2xWPE6

**SIMT.P1000-161609-X0421** - 2xWDU6, 2xWDU6(blue), 2xWPE6

#### SIMT.P1000-161609-X0031

Cable entries A(M20x1.5) B(M20x1.5) C(M20x1.5) D(M20x1.5)  
Terminals 3xWDU 10



OPTIONS:

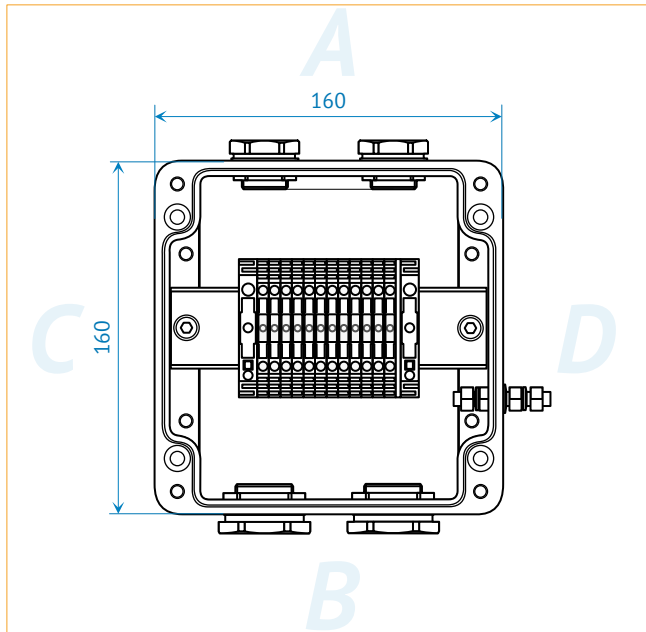
**SIMT.P1000-161609-X0231** - 2xWDU10, 1xWPE10

**SIMT.P1000-161609-X0431** - 1xWDU10, 3xWDU10(blue), 3xWPE10

## GRP TERMINAL BOXES P1 SERIES TYPE X9

### SIMT.P1000-161609-X9003

Cable entries A(2xM20x1.5) B(2xM25x1.5)  
Terminals 9xWDU 2.5

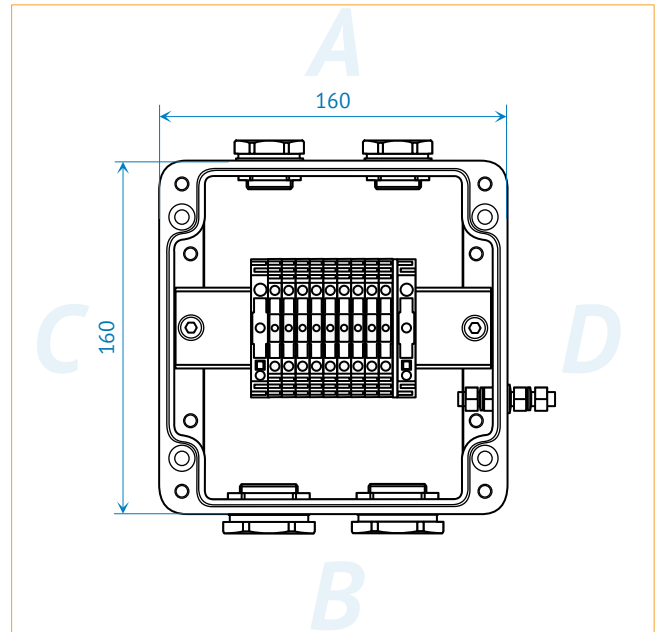


OPTIONS:

- SIMT.P1000-161609-X0203** - 6xWDU2.5, 3xWPE2.5
- SIMT.P1000-161609-X0403** - 3xWDU2.5, 3xWDU2.5(blue), 3xWPE2.5

### SIMT.P1000-161609-X9012

Cable entries A(2xM20x1.5) B(2xM25x1.5)  
Terminals 6xWDU 4

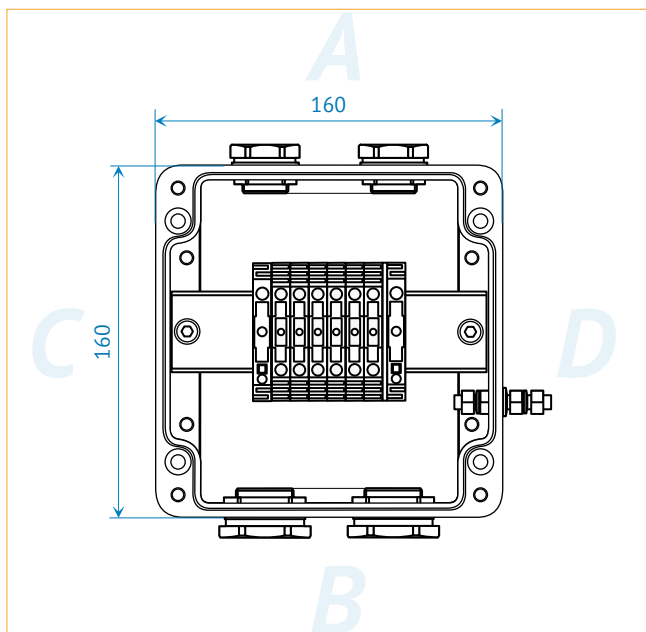


OPTIONS:

- SIMT.P1000-161609-X0212** - 4xWDU4, 2xWPE4
- SIMT.P1000-161609-X0412** - 2xWDU4, 2xWDU4(blue), 2xWPE4

### SIMT.P1000-161609-X9021

Cable entries A(2xM20x1.5) B(2xM25x1.5)  
Terminals 6xWDU 6

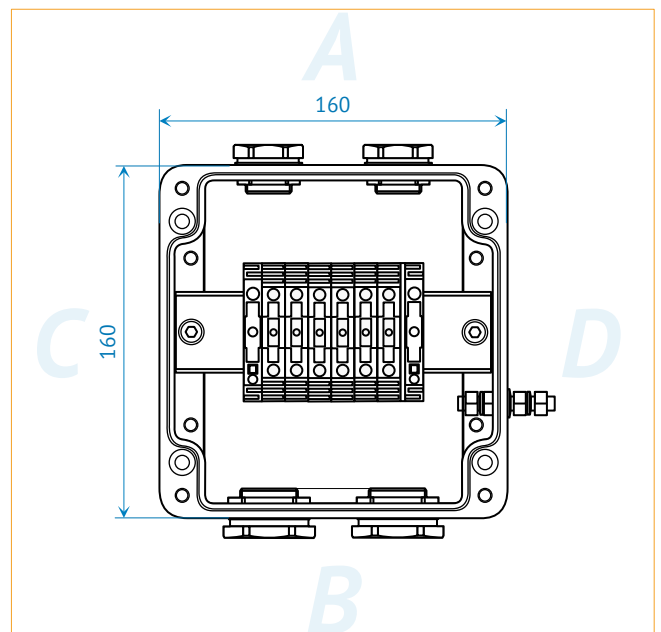


OPTIONS:

- SIMT.P1000-161609-X0221** - 4xWDU6, 2xWPE6
- SIMT.P1000-161609-X0421** - 2xWDU6, 2xWDU6(blue), 2xWPE6

### SIMT.P1000-161609-X9031

Cable entries A(2xM20x1.5) B(2xM25x1.5)  
Terminals 3xWDU 10



OPTIONS:

- SIMT.P1000-161609-X0231** - 2xWDU10, 1xWPE10
- SIMT.P1000-161609-X0431** - 1xWDU10, 3xWDU10(blue), 3xWPE10



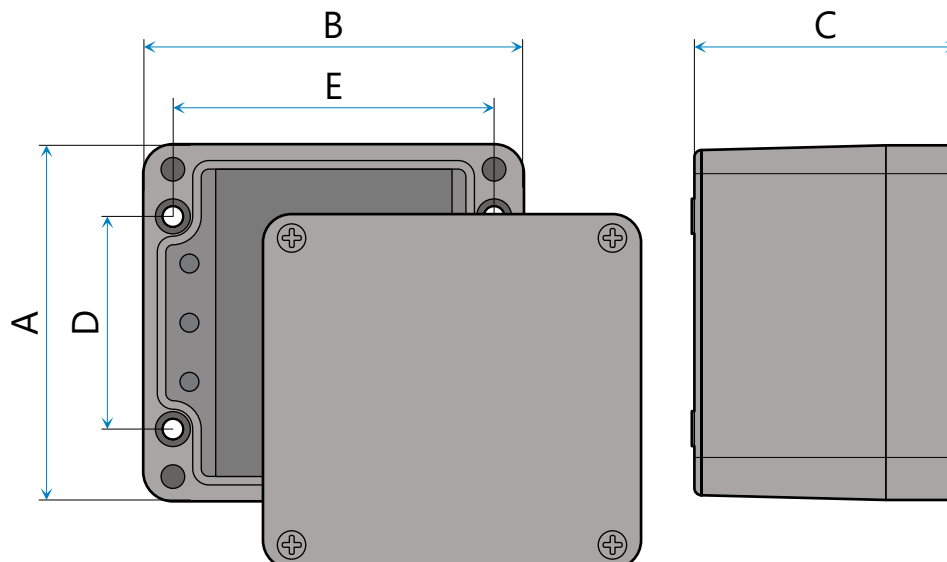
## GRP TERMINAL BOXES P1 SERIES CUSTOMIZATION OF TERMINAL BOXES

Sigma Solutions offers customized explosion-proof terminal boxes to meet your specific requirements and operating conditions. Our engineers will configure the product according to your temperature needs. All of our products come with a one-year warranty.



### DIMENSIONS

Terminal box	A	B	C	D	E
SIMT.P1000-080806	75	80	56.5	45	59
SIMT.P1000-080808	75	80	75.5	45	59
SIMT.P1000-081106	75	110	56.5	45	89
SIMT.P1000-081108	75	110	75.5	45	89
SIMT.P1000-081606	75	160	56.5	45	139
SIMT.P1000-081608	75	160	75.5	45	139
SIMT.P1000-081906	75	190	56.5	45	169
SIMT.P1000-081908	75	190	75.5	45	169
SIMT.P1000-082306	75	230	56	45	209
SIMT.P1000-082308	75	230	75	45	209
SIMT.P1000-121209	120	122	91	82	95
SIMT.P1000-122209	120	220	91	82	193
SIMT.P1000-161609	160	160	91	110	132
SIMT.P1000-162609	160	260	91	110	232
SIMT.P1000-163609	160	360	91	110	332
SIMT.P1000-165609	160	560	91	110	532
SIMT.P1000-252612	250	255	121	200	227
SIMT.P1000-252616	250	255	161	200	227
SIMT.P1000-254012	250	400	121	200	372
SIMT.P1000-254016	250	400	161	200	372
SIMT.P1000-256012	250	600	121	200	572
SIMT.P1000-363609	360	360	91	310	330
SIMT.P1000-404016	405	400	121	355	372
SIMT.P1000-414020	406	401	201	355	372





## GRP TERMINAL BOXES P1 SERIES

### CUSTOMIZATION OF TERMINAL BOXES

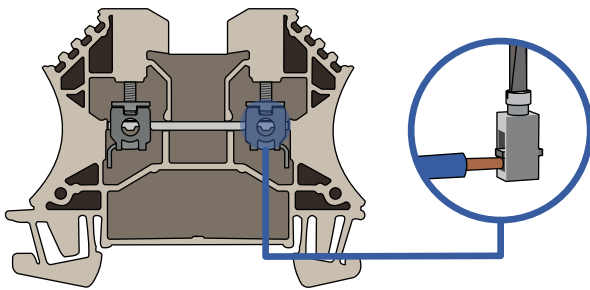
The junction boxes are by default equipped with screw connection terminals from Weidmuller. Sigma Solutions is available to use spring or push-in connection terminals in the configuration on request .

The design of the Junction Box is also not limited to Weidmuller terminals and provides the option of choosing terminals from Phoenix Contact or WAGO.

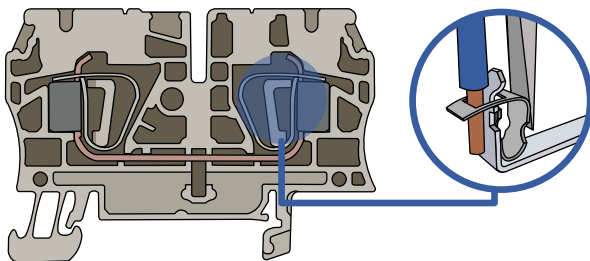
#### TERMINAL CONTENT

TERMINAL BOX	WDU 2,5 (AKZ 2,5)	WDU 4 (AKZ 4)	WDU 6	WDU 10	WDU 16	WDU 35
SIMT.P1000-080806	(5)	(4)	-	-	-	-
SIMT.P1000-080808	(5)	(4)	-	-	-	-
SIMT.P1000-081106	(11)	(9)	-	-	-	-
SIMT.P1000-081108	(11)	(9)	-	-	-	-
SIMT.P1000-081606	(21)	(17)	-	-	-	-
SIMT.P1000-081608	(21)	(17)	-	-	-	-
SIMT.P1000-081906	(27)	(22)	-	-	-	-
SIMT.P1000-081908	(27)	(22)	-	-	-	-
SIMT.P1000-082306	(34)	(29)	-	-	-	-
SIMT.P1000-082308	(34)	(29)	-	-	-	-
SIMT.P1000-121209	13	11	8	6	5	4
SIMT.P1000-122209	32	27	21	16	13	10
SIMT.P1000-161609	20	17	13	10	8	6
SIMT.P1000-162609	40	33	26	20	17	12
SIMT.P1000-163609	60	50	38	30	25	19
SIMT.P1000-165609	99	82	64	51	42	31
SIMT.P1000-252612	78	65	50	40	33	25
SIMT.P1000-252616	78	65	50	40	33	25
SIMT.P1000-254012	135	113	87	69	58	43
SIMT.P1000-254016	135	113	87	69	58	43
SIMT.P1000-256012	214	179	138	110	91	68
SIMT.P1000-363609	180	150	116	92	77	57
SIMT.P1000-404016	203	170	131	104	87	64
SIMT.P1000-414020	203	170	131	104	87	64

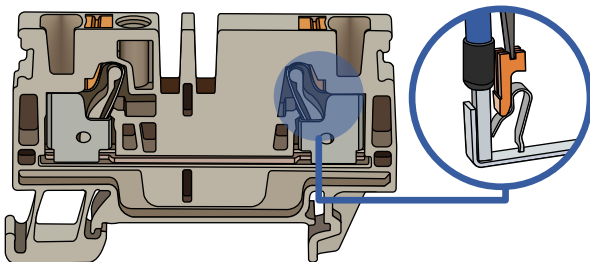
#### SCREW CONNECTION TERMINAL



#### SPRING CLAMP CONNECTION TERMINAL



#### PUSH-IN CONNECTION TERMINAL





## GRP TERMINAL BOXES P1 SERIES CUSTOMIZATION OF TERMINAL BOXES

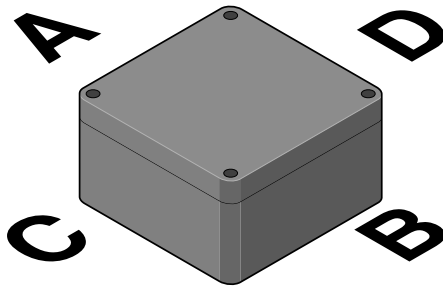
Sigma Solutions applies items from CMP Product for cable entries in all assembly configurations.

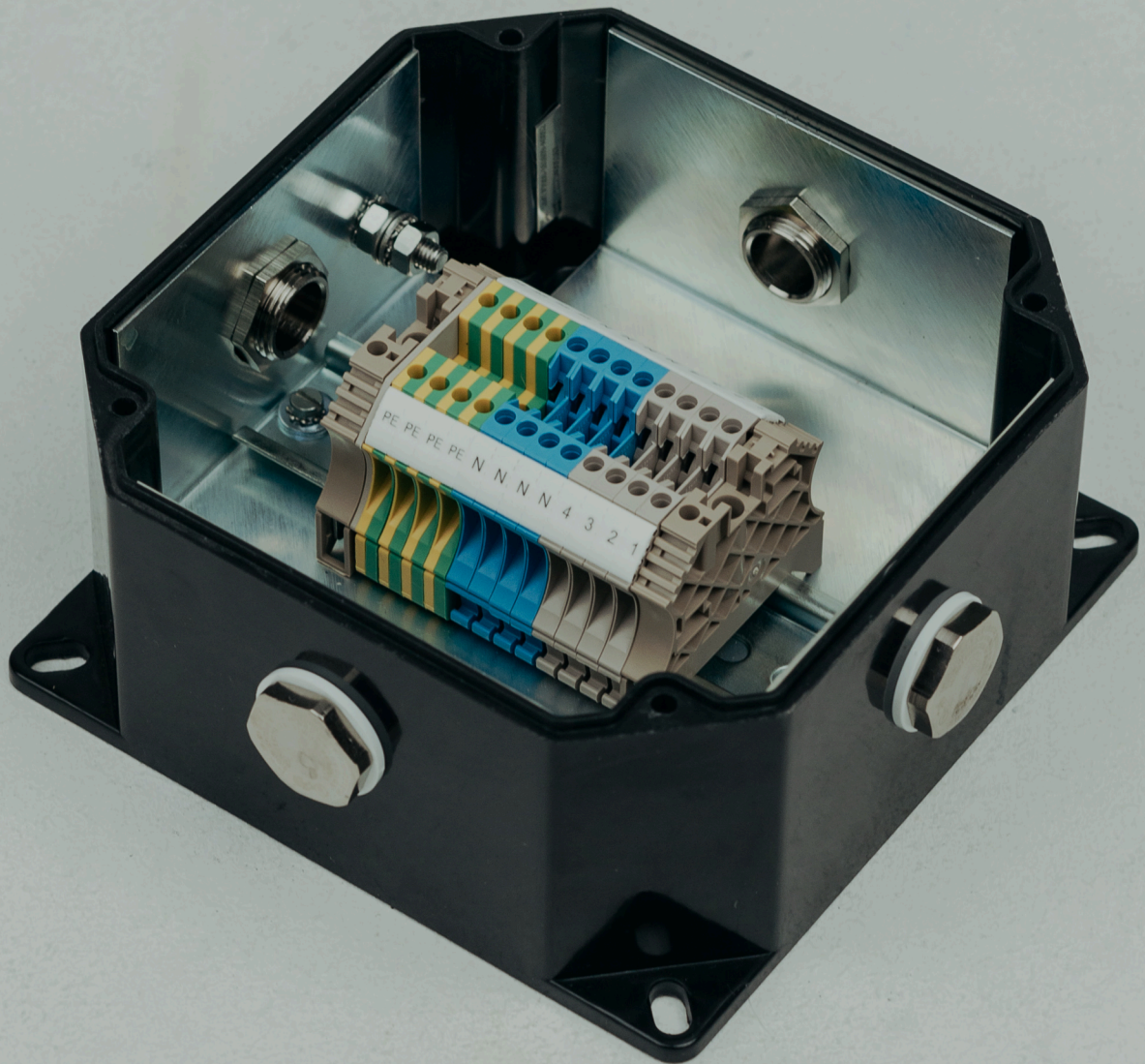
The junction box is fitted with explosion-proof plugs as standard. On request, it can be replaced with a cable gland suitable for any type of cable (unarmored, armored, braided, in conduit).

### CAPACITY OF ENTRIES

TERMINAL BOX	SIDE	M20	M25	M32	M40	M50
SIMT.P1000-080806	A/B	2	1	-	-	-
	C/D	1	-	-	-	-
SIMT.P1000-080808	A/B	4	1	1	-	-
	C/D	2	1	1	-	-
SIMT.P1000-081106	A/B	2	1	-	-	-
	C/D	1	-	-	-	-
SIMT.P1000-081108	A/B	6	2	2	-	-
	C/D	1	1	1	-	-
SIMT.P1000-081606	A/B	4	3	-	-	-
	C/D	1	-	-	-	-
SIMT.P1000-081608	A/B	8	3	2	-	-
	C/D	2	1	1	-	-
SIMT.P1000-081906	A/B	5	4	-	-	-
	C/D	1	1	-	-	-
SIMT.P1000-081908	A/B	12	5	3	-	-
	C/D	2	1	1	-	-
SIMT.P1000-082306	A/B	8	4	-	-	-
	C/D	1	1	-	-	-
SIMT.P1000-082308	A/B	12	6	4	-	-
	C/D	2	1	1	-	-
SIMT.P1000-121209	A/B	4	2	1	1	-
	C/D	4	2	1	1	-
SIMT.P1000-122209	A/B	12	6	3	2	-
	C/D	4	2	1	1	-
SIMT.P1000-161609	A/B	9	6	3	2	2
	C/D	6	3	2	1	1
SIMT.P1000-162609	A/B	17	11	5	3	3
	C/D	6	3	2	1	-
SIMT.P1000-163609	A/B	26	16	7	5	4
	C/D	6	3	2	1	1
SIMT.P1000-165609	A/B	40	24	12	8	6
	C/D	6	3	2	1	1
SIMT.P1000-252612	A/B	24	12	8	4	3
	C/D	18	10	7	3	3
SIMT.P1000-252616	A/B	24	12	8	4	3
	C/D	18	10	7	3	3
SIMT.P1000-254012	A/B	42	21	14	7	5
	C/D	18	10	7	3	3
SIMT.P1000-254016	A/B	42	21	14	7	5
	C/D	18	10	7	3	3
SIMT.P1000-256012	A/B	36	30	12	6	4
	C/D	18	10	7	3	2
SIMT.P1000-363609	A/B	26	16	7	5	4
	C/D	20	10	6	5	-
SIMT.P1000-404016	A/B	42	21	14	7	5
	C/D	36	18	13	6	5
SIMT.P1000-414020	A/B	88	45	28	17	12
	C/D	77	43	26	15	11

SIDES OF THE ENCLOSURE





# *P7 SERIES GRP TERMINAL BOXES*

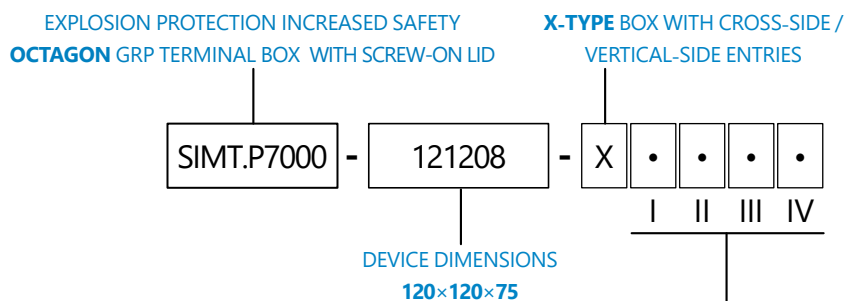


## GRP TERMINAL BOXES P7 SERIES

### TECHNICAL DATA

<b>HAZARDOUS ZONES</b>	ZONE 1, 2	<b>ENCLOSURE</b>	POLYESTER (GRP)
<b>ATEX CERTIFICATE</b>	FIDI 22 ATEX 0077	<b>LID SCREW</b>	M4/M6 CAPTIVE SCREWS (304 STAINLESS STEEL)
<b>ATEX EX MARKING</b>	II 2G Ex eb IIC T6...T3 Gb	<b>GASKET</b>	SILICONE
<b>EAC CERTIFICATE</b>	EAЭC RU C-KZ.HA65.B.01136/21	<b>PROTECTION DEGREE</b>	IP65/66 ACC. EN IEC 60529
<b>EAC EX MARKING</b>	1 Ex eb IIC T6...T3 Gb X	<b>SHOCKPROOF</b>	7NM ACC. IEC/EN 60079-0, IK 10
<b>BUILT-IN TERMINAL</b>	WEIDMULLER PHOENIX CONTACT WAGO	<b>OPERATION TEMPERATURE</b>	-55°C ~ 80°C Depending on the built-in Ex components
<b>CABLE ENTRIES</b>	CMP PRODUCTS	<b>MAX VOLTAGE</b>	1100 AC 24 DC

### IDENTIFICATION CODE

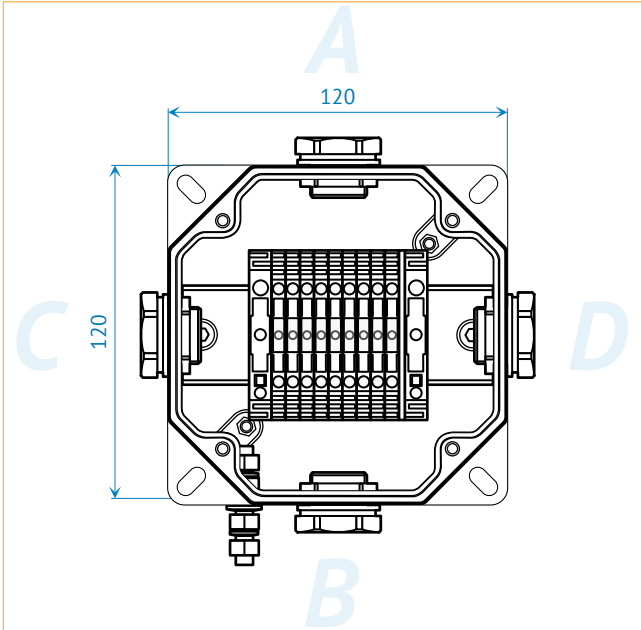


<b>I</b>	X0	Terminal box with entries <b>M20</b> on <b>each</b> sides - A(M20x1.5) B(M20x1.5) C(M20x1.5) D(M20x1.5)
	X9	Terminal box with <b>two</b> entries <b>M20</b> on side <b>A</b> and <b>two</b> entries <b>M25</b> on side <b>B</b> - A(2xM20x1.5) B(2xM25x1.5)
<b>II</b>	0	Terminal box contains <b>current phase</b> terminals.
	2	Terminal box contains <b>current phase</b> and <b>earth</b> terminals.
	4	Terminal box contains terminals for <b>phase, neutral</b> and <b>earth</b> .
	5	Terminal box contains <b>current phase</b> terminals and earthing <b>bar</b> .
	8	Terminal box contains terminals for <b>intrinsically safe circuit</b> and earthing <b>bar</b>
<b>III</b>	0	Terminal box contains <b>2.5 mm<sup>2</sup></b> terminals with screw connections
	1	Terminal box contains <b>4 mm<sup>2</sup></b> terminals with screw connections
	2	Terminal box contains <b>6 mm<sup>2</sup></b> terminals with screw connections
	3	Terminal box contains <b>10 mm<sup>2</sup></b> terminals with screw connections
<b>IV</b>	0	Terminal box with <b>3</b> terminals
	1	Terminal box with <b>6</b> terminals
	2	Terminal box with <b>9</b> terminals
	3	Terminal box with <b>12</b> terminals
	4	Terminal box with <b>20</b> or more terminals
	5	Terminal box with <b>40</b> or more terminals
	6	Terminal box with <b>60</b> or more terminals
	7	Terminal box with <b>80</b> or more terminals
	8	Terminal box with <b>100</b> or more terminals
9	Terminal box with <b>120</b> or more terminals	

## GRP TERMINAL BOXES P7 SERIES TYPE X0

### SIMT.P7000-121208-X0002

Cable entries A(M20x1.5) B(M20x1.5) C(M20x1.5) D(M20x1.5)  
Terminals 9xWDU 2.5

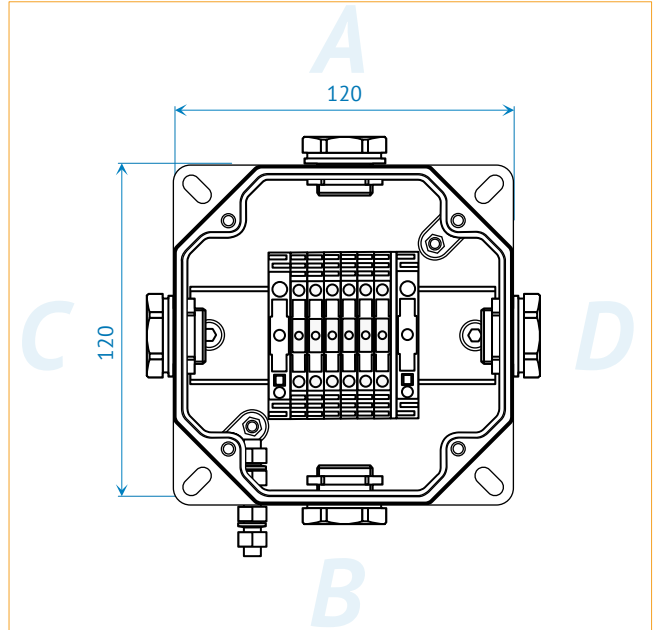


OPTIONS:

- SIMT.P7000-121208-X0202** - 6xWDU2.5, 3xWPE2.5
- SIMT.P7000-121208-X0402** - 3xWDU2.5, 3xWDU2.5(blue), 3xWPE2.5

### SIMT.P7000-121208-X0011

Cable entries A(M20x1.5) B(M20x1.5) C(M20x1.5) D(M20x1.5)  
Terminals 6xWDU 4

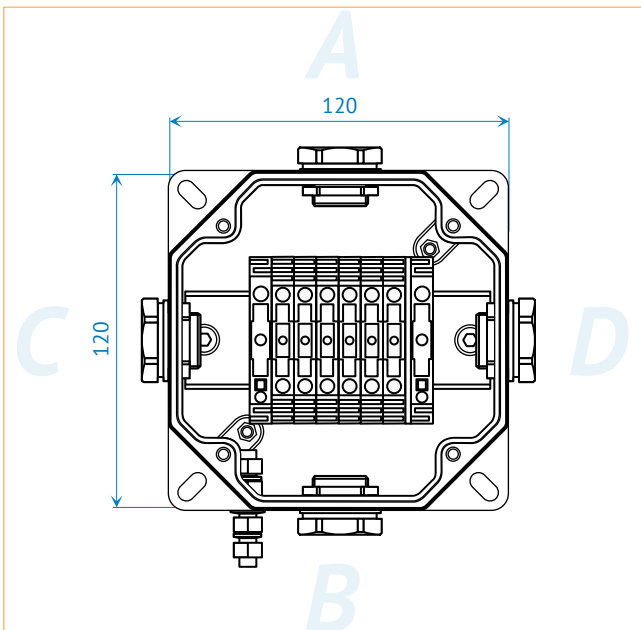


OPTIONS:

- SIMT.P7000-121208-X0211** - 4xWDU4, 2xWPE4
- SIMT.P7000-121208-X0411** - 2xWDU4, 2xWDU4(blue), 2xWPE4

### SIMT.P7000-121208-X0021

Cable entries A(M20x1.5) B(M20x1.5) C(M20x1.5) D(M20x1.5)  
Terminals 6xWDU 6

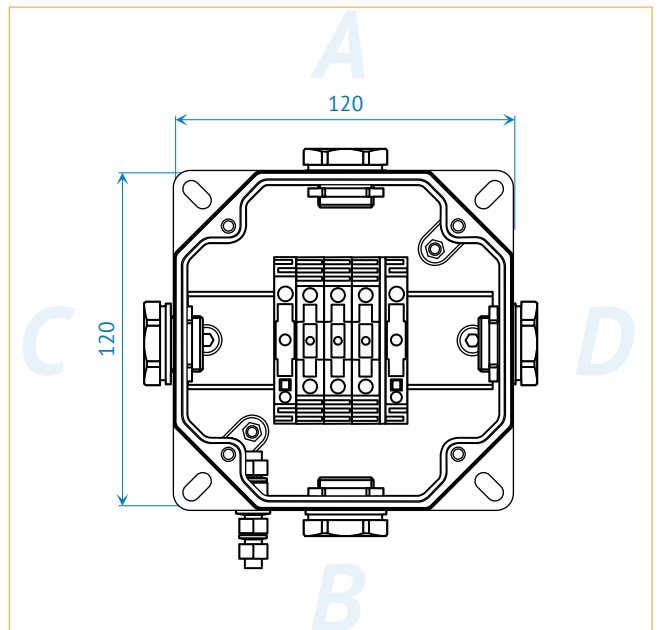


OPTIONS:

- SIMT.P7000-121208-X0221** - 4xWDU6, 2xWPE6
- SIMT.P7000-121208-X0421** - 2xWDU6, 2xWDU6(blue), 2xWPE6

### SIMT.P7000-121208-X0030

Cable entries A(M20x1.5) B(M20x1.5) C(M20x1.5) D(M20x1.5)  
Terminals 3xWDU 10



OPTIONS:

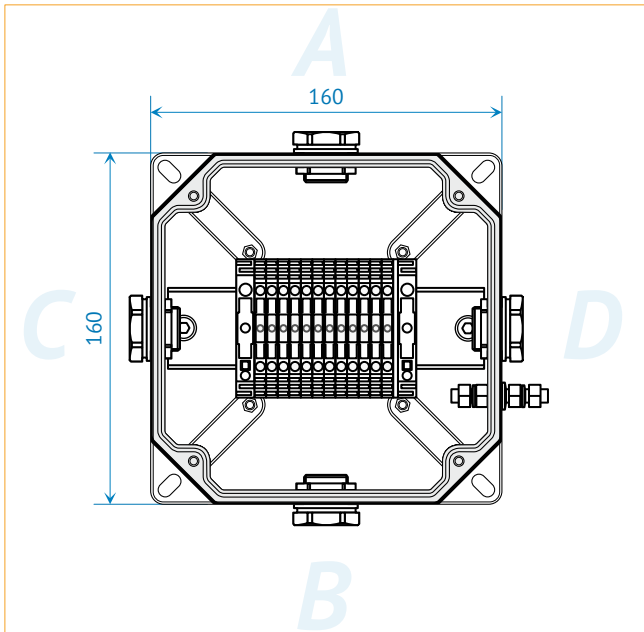
- SIMT.P7000-121208-X0230** - 2xWDU10, 1xWPE10
- SIMT.P7000-121208-X0430** - 1xWDU10, 3xWDU10(blue), 3xWPE10



## GRP TERMINAL BOXES P7 SERIES TYPE X0

### SIMT.P7000-161609-X0003

Cable entries A(M20x1.5) B(M20x1.5) C(M20x1.5) D(M20x1.5)  
Terminals 9xWDU 2.5



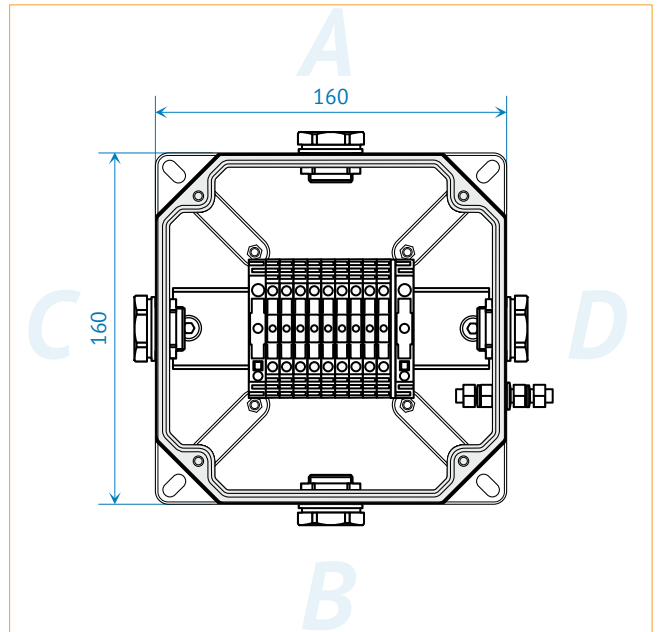
OPTIONS:

**SIMT.P7000-161609-X0203** - 6xWDU2.5, 3xWPE2.5

**SIMT.P7000-161609-X0403** - 3xWDU2.5, 3xWDU2.5(blue), 3xWPE2.5

### SIMT.P7000-161609-X0012

Cable entries A(M20x1.5) B(M20x1.5) C(M20x1.5) D(M20x1.5)  
Terminals 6xWDU 4



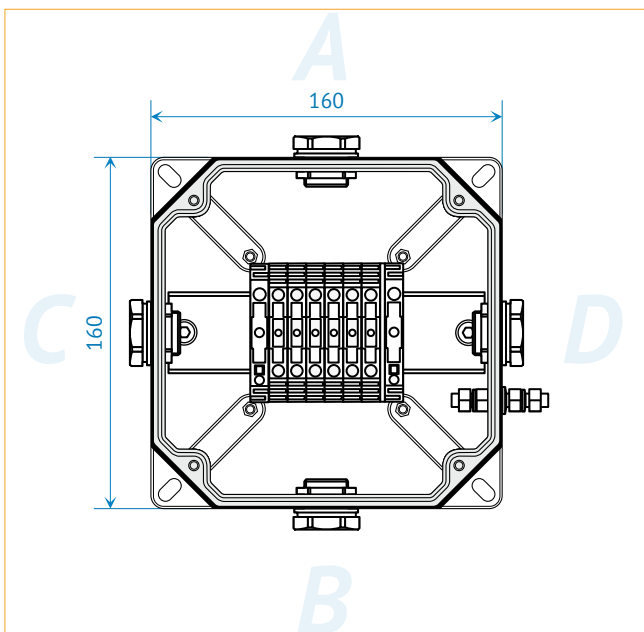
OPTIONS:

**SIMT.P7000-161609-X0212** - 4xWDU4, 2xWPE4

**SIMT.P7000-161609-X0412** - 2xWDU4, 2xWDU4(blue), 2xWPE4

### SIMT.P7000-161609-X0021

Cable entries A(M20x1.5) B(M20x1.5) C(M20x1.5) D(M20x1.5)  
Terminals 6xWDU 6



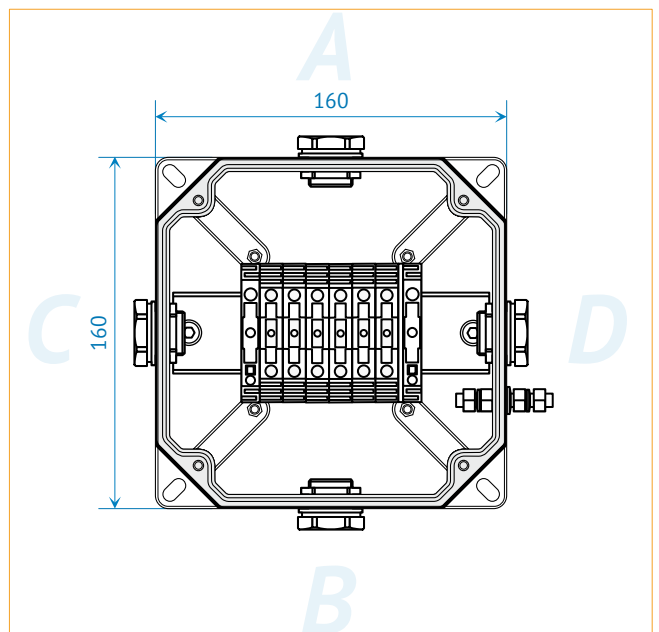
OPTIONS:

**SIMT.P7000-161609-X0221** - 4xWDU6, 2xWPE6

**SIMT.P7000-161609-X0421** - 2xWDU6, 2xWDU6(blue), 2xWPE6

### SIMT.P7000-161609-X0031

Cable entries A(M20x1.5) B(M20x1.5) C(M20x1.5) D(M20x1.5)  
Terminals 3xWDU 10



OPTIONS:

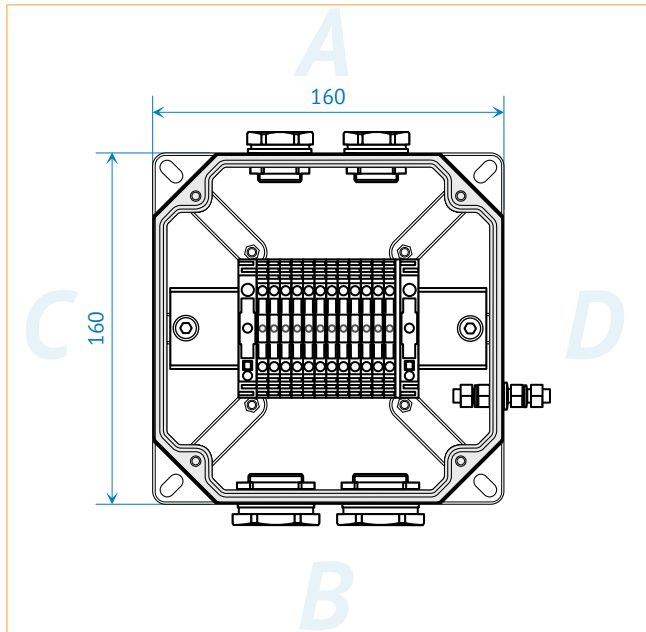
**SIMT.P7000-161609-X0231** - 2xWDU10, 1xWPE10

**SIMT.P7000-161609-X0431** - 1xWDU10, 3xWDU10(blue), 3xWPE10

## GRP TERMINAL BOXES P7 SERIES TYPE X9

### SIMT.P7000-161609-X9003

Cable entries                      A(2xM20x1.5) B(2xM25x1.5)  
Terminals                              9xWDU 2.5

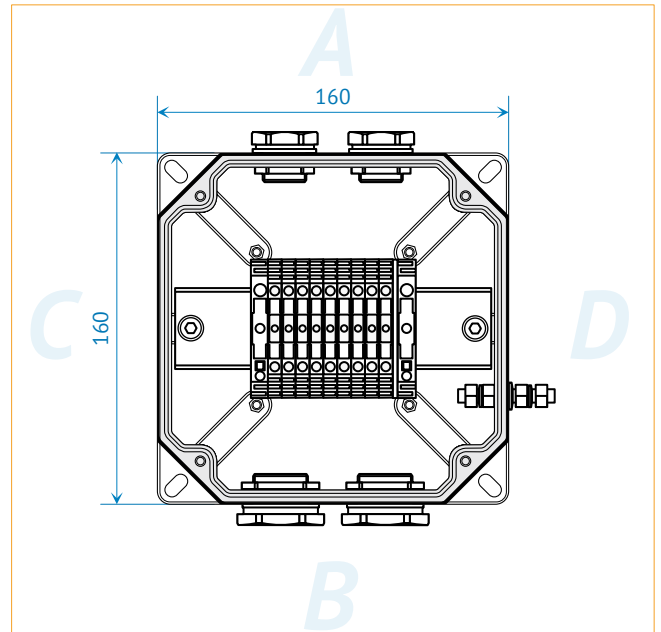


OPTIONS:

- SIMT.P7000-161609-X9203** - 6xWDU2.5, 3xWPE2.5
- SIMT.P7000-161609-X9403** - 3xWDU2.5, 3xWDU2.5(blue), 3xWPE2.5

### SIMT.P7000-161609-X9012

Cable entries                      A(2xM20x1.5) B(2xM25x1.5)  
Terminals                              6xWDU 4

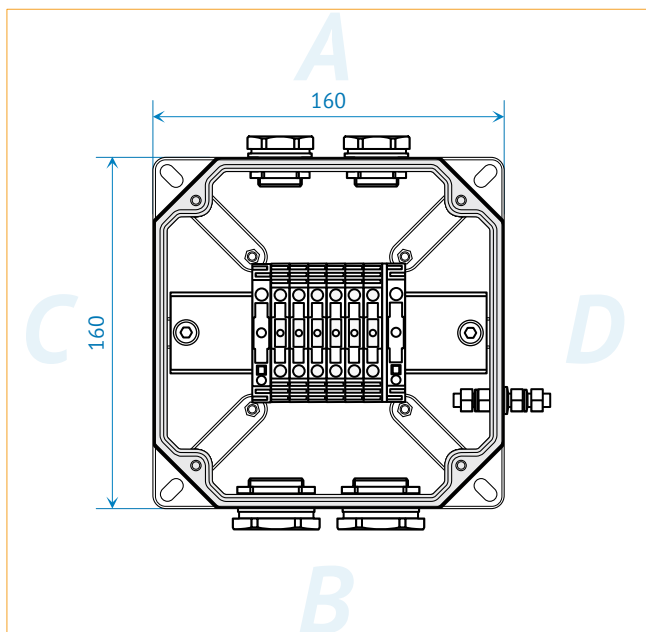


OPTIONS:

- SIMT.P7000-161609-X9212** - 4xWDU4, 2xWPE4
- SIMT.P7000-161609-X9412** - 2xWDU4, 2xWDU4(blue), 2xWPE4

### SIMT.P7000-161609-X9021

Cable entries                      A(2xM20x1.5) B(2xM25x1.5)  
Terminals                              6xWDU 6

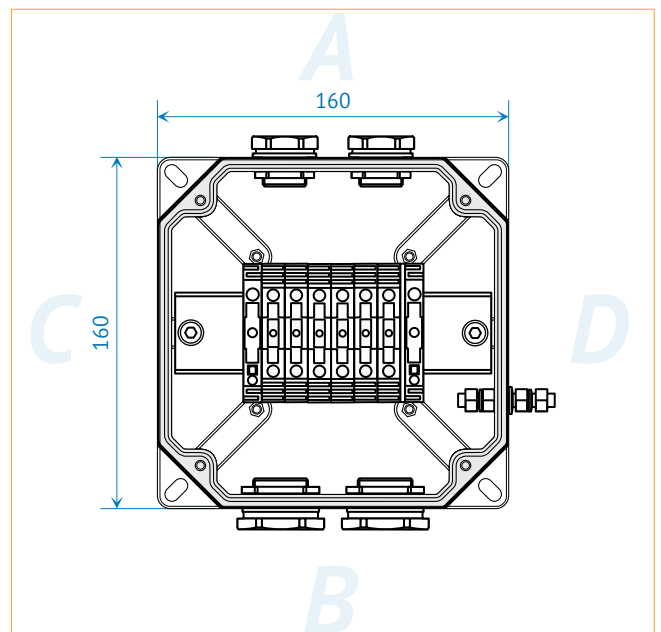


OPTIONS:

- SIMT.P7000-161609-X9221** - 4xWDU6, 2xWPE6
- SIMT.P7000-161609-X9421** - 2xWDU6, 2xWDU6(blue), 2xWPE6

### SIMT.P7000-161609-X9031

Cable entries                      A(2xM20x1.5) B(2xM25x1.5)  
Terminals                              3xWDU 10



OPTIONS:

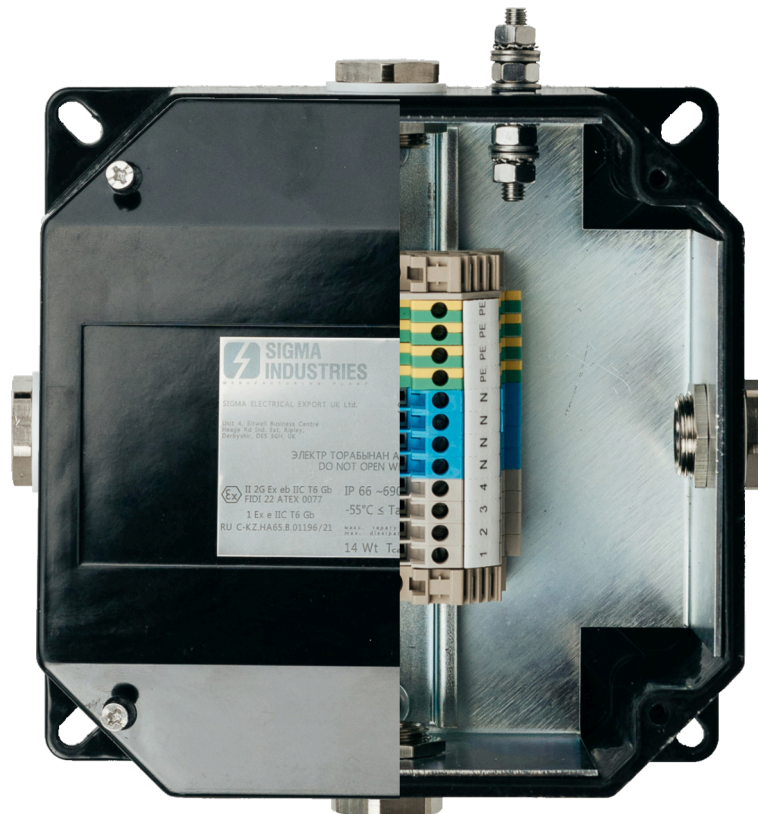
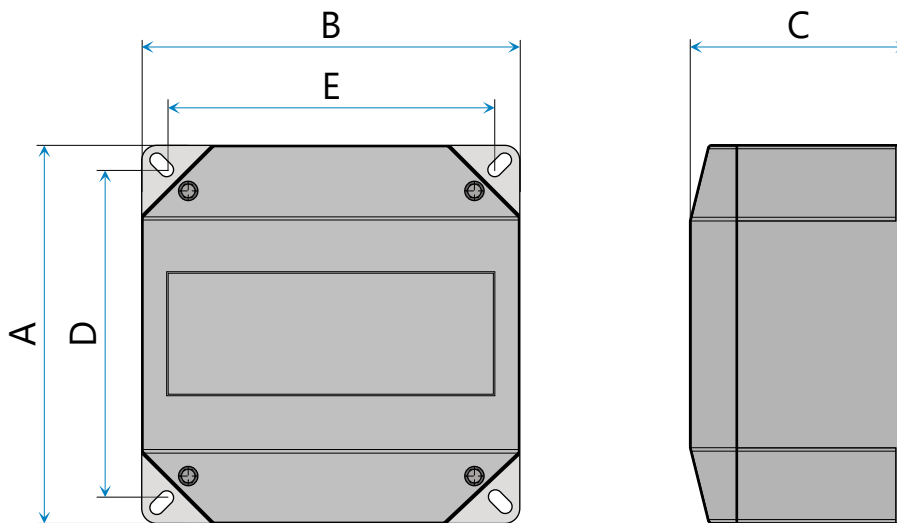
- SIMT.P7000-161609-X9231** - 2xWDU10, 1xWPE10
- SIMT.P7000-161609-X9431** - 1xWDU10, 3xWDU10(blue), 3xWPE10



## GRP TERMINAL BOXES P7 SERIES CUSTOMIZATION OF TERMINAL BOXES

Sigma Solutions offers customized explosion-proof terminal boxes to meet your specific requirements and operating conditions. Our engineers will configure the product according to your temperature needs. All of our products come with a one-year warranty.

Terminal box dimensions	A	B	C	D	E
SIMT.P7000-080806	81	81	75	69	69
SIMT.P7000-121208	121	121	75	100	100
SIMT.P7000-161609	161	161	93	140	140
SIMT.P7000-202013	200	200	125	175	175





## GRP TERMINAL BOXES P7 SERIES

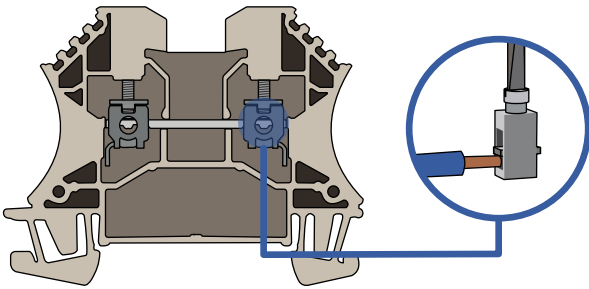
### CUSTOMIZATION OF TERMINAL BOXES

The junction boxes are by default equipped with screw connection terminals from Weidmuller. Sigma Solutions is available to use spring or push-in connection terminals in the configuration on request .

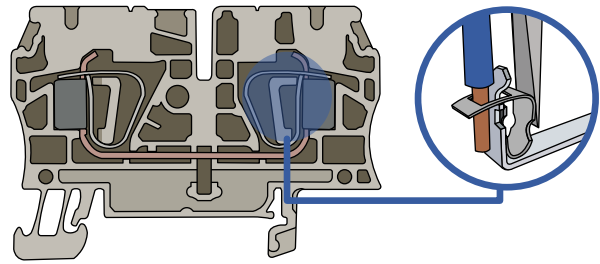
The design of the Junction Box is also not limited to Weidmuller terminals and provides the option of choosing terminals from Phoenix Contact or WAGO.

TERMINAL BOX	WDU 2,5 (AKZ 2,5)	WDU 4 (AKZ 4)	WDU 6	WDU 10	WDU 16
SIMT.P7000-080806	(5)	-	-	-	-
SIMT.P7000-121208	12 (11)	9 (9)	7	-	-
SIMT.P7000-161609	18 (19)	13 (16)	11	9	-
SIMT.P7000-202013	53 (56)	43 (46)	32	25	8

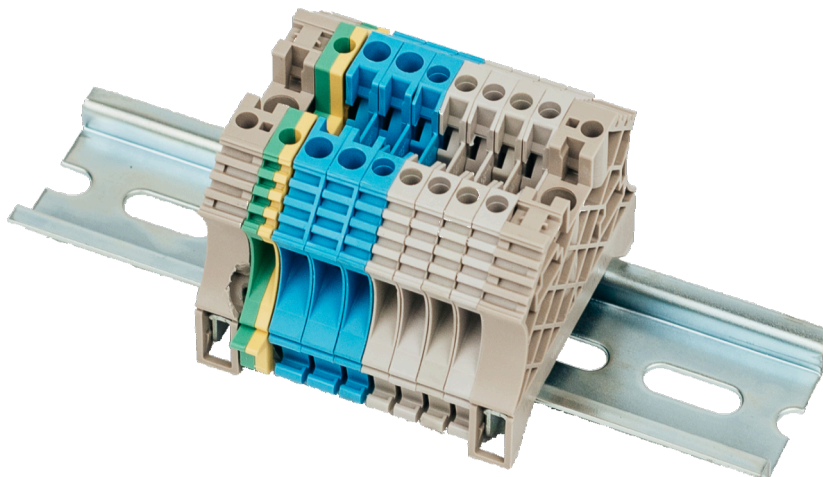
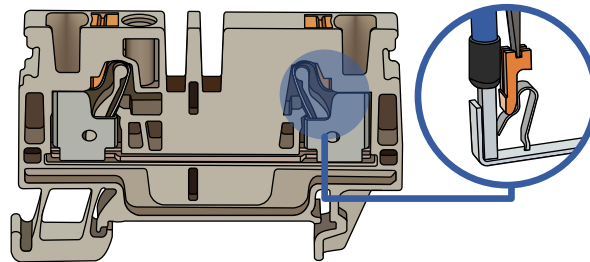
SCREW CONNECTION TERMINAL



SPRING CLAMP CONNECTION TERMINAL



PUSH-IN CONNECTION TERMINAL



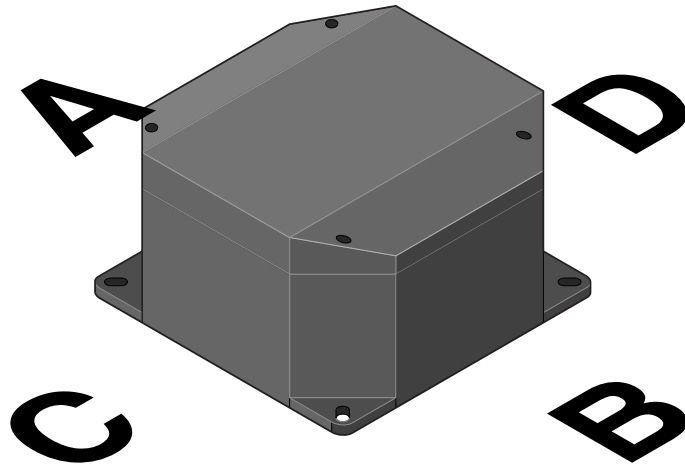


## GRP TERMINAL BOXES P7 SERIES CUSTOMIZATION OF TERMINAL BOXES

Sigma Solutions applies items from CMP Product for cable entries in all assembly configurations.

The junction box is fitted with explosion-proof plugs as standard. On request, it can be replaced with a cable gland suitable for any type of cable (unarmored, armored, braided, in conduit).

TERMINAL BOX	SIDE	M20	M25	M32	M40
SIMT.P7000-080806	A/B	1	-	-	-
	C/D	1	-	-	-
SIMT.P7000-121208	A/B	2	1	-	-
	C/D	2	1	-	-
SIMT.P7000-161609	A/B	5	2	2	-
	C/D	5	2	2	-
SIMT.P7000-202013	A/B	9	6	3	2
	C/D	9	6	3	2



A man with a beard and glasses, wearing a grey cap and a dark jacket with reflective stripes, is operating a machine in a factory. He is wearing black gloves and is adjusting a control panel with various knobs and buttons. The machine is a large industrial piece of equipment, possibly a lathe or a drill press, with a metal workpiece mounted on it. The background is a blurred industrial setting with other machinery.

**WE BRING THE POWER**



SIGMA ELECTRICAL EXPORT UK Ltd.  
Unit 11, Innovation Centre,  
Exploration Drive  
Aberdeen Energy Park, Bridhe of Don  
Aberdeen, AB23 8GX, United Kingdom  
Tel.: +44 (0) 1773 746602  
sales@sigmaexport.co.uk  
www.sigmaexport.co.uk



SIGMA SOLUTIONS LLP  
78A, Azattyk avenue,  
Atyrau, 060005, Republic of Kazakhstan  
Tel.: +7 7122 306006  
info@sigmasolutions.kz  
www.sigmasolutions.kz



SIGMA INDUSTRIES  
116A, Azattyk avenue, Atyrau,  
Torgovaya Baza CDC,  
060005, Republic of Kazakhstan  
www.sigma-industries.kz